

CO2-SS-20

CARBON DIOXIDE CO2 ANALYSER

- ✓ Advanced Patented NDIR Sensor Technology
- ✓ Ultra Low Power - extended battery life
- ✓ Fast start - ready to use in 6 seconds
- ✓ Large colour touch screen
- ✓ New CO2 verification tool

The CO2-SS-20 is the new handheld Carbon Dioxide (CO2) analyser, which offers simple and highly accurate CO2 analysis with fast and intuitive touch screen interface.

The CO2-SS-20 has been specially developed to measure, verify and validate CO2 levels in CO2 incubators, proving popular in medical departments, research and laboratories. The product is also utilised by field service engineers to repair, validate and calibrate CO2 incubators and equipment.

Patented dual beam selective infrared sensor technology ensures extremely fast start and minimal warm up time. This advanced equipment completes full check and measurement cycle before other analysers have even got the splash screen out of the way! Such advantages, as well as ease of use for all personnel, extends appeal of the CO2-SS-20 into the more traditional areas of CO2 measurement, including horticulture, air quality and safety.

KEY BENEFITS

- Fast start – no splash screen and a minimal power up time of 6 seconds mean the CO2-SS-20 is ready to start taking readings as soon as you are!
- Quick and accurate verification of Incubator CO2 readings within the 0-20% range.
- No regular span calibration required & Rapid Air Zero Calibration in 90 seconds.



APPLICATION AREAS

- CO2 levels in Incubators
- Medical Research
- IVF
- Cell Culture
- University Research
- Contract Research
- Laboratories
- Service & Calibration of Incubators and CO2 laboratory/research equipment
- Air Quality
- Safety levels
- Horticulture



CO2-SS-20 CARBON DIOXIDE CO2 ANALYSER

FEATURES

- 0 – 20% volume CO2 measurement range
- Easy-to-use large colour touch screen which can be operated if wearing gloves
- Weighing only 315g and with a comfortable handheld case, the CO2-SS-20 is convenient and easy to hold in continued use
- Built-in flip-out tilting stand
- USB charging feature



FUNCTIONS

- Fast and intuitive touch screen driven user interface
- Adjustable display resolution from 0.1% and 0.01%
- HOLD feature
- Ultra low power sensing technique maximises battery life



CO2-SS-20 INCLUDES:

- ✓ Model CO2-SS-20 Analyser
- ✓ 1 metre of sample tubing with filter
- ✓ Spare Filter
- ✓ Hard Carry Case
- ✓ Multi-region mains charger kit (UK, US, EU and AU).
- ✓ USB A Male – Right Angle Mini USB
- ✓ User Manual
- ✓ Calibration Certificate (calibrated and tested using certified gases traceable to UK National Standards).

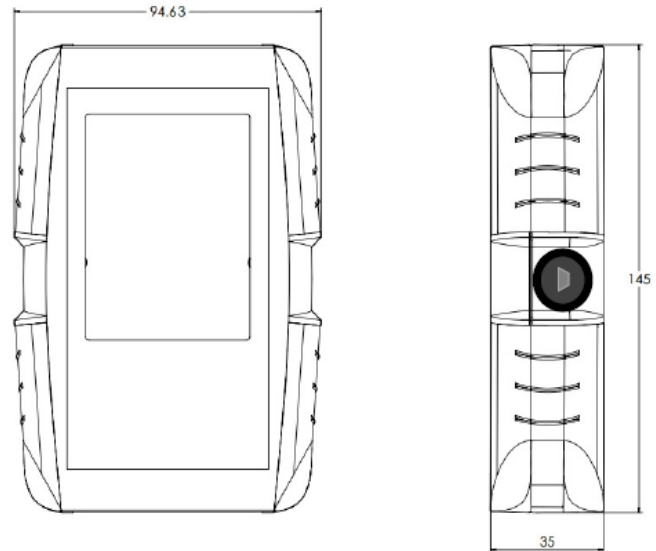


CO2-SS-20

CARBON DIOXIDE CO2 ANALYSER

TECHNICAL SPECIFICATIONS

- Display:** 320x240 TFT Colour Display with Touch Screen
- Housing:** High impact ABS, UL94-V0 with TPE coated polypropylene soft-grip corners
- Power:** Rechargeable Lithium Polymer battery. Charges with Mini USB Charger or using 12V Car Adapter
- Input Voltage:** 100-240V, 50-60 Hz 0.2A max
- Weight:** 315g
- Operating Conditions:** 5°C to 40°C (standard)
0 to 95% RH, non-condensing
- CO2 Sensing Method:** Non-dispersive infrared (NDIR) absorption. Patented Gold-plated optics. Patented Solid-state source and detector
- Measuring Method:** Sampling (pump 0.35l/min)
- Measurement Range:** 0-20% volume CO2
- Accuracy:** +/- 5% of reading
- Pressure Dependence:** 0.13% of reading per mm Hg in normal atmospheric conditions
- Warranty period:** 12 months from date of despatch



All dimensions are in millimetres mm (+/- 0.15mm)

ACCESSORIES:

- Spare Inlet filter pack (2 filters)
- Spare length of sample tubing
- Car charging adapter
- Spare mains charger kit
- Annual calibration/service

