

CO2 EMS MONITORING SYSTEM MANUAL

DESCRIPTION

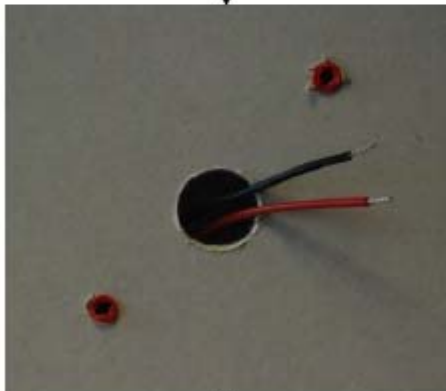
The EMS Environmental Monitoring System is a low cost, high sensitivity CO2 and indoor air quality monitor. It incorporates the advanced C1 infrared Carbon Dioxide sensor and is designed for monitoring air quality in hotels, schools, offices, homes and public buildings.



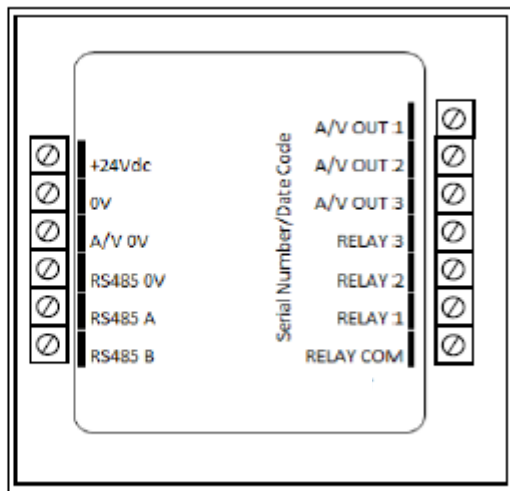
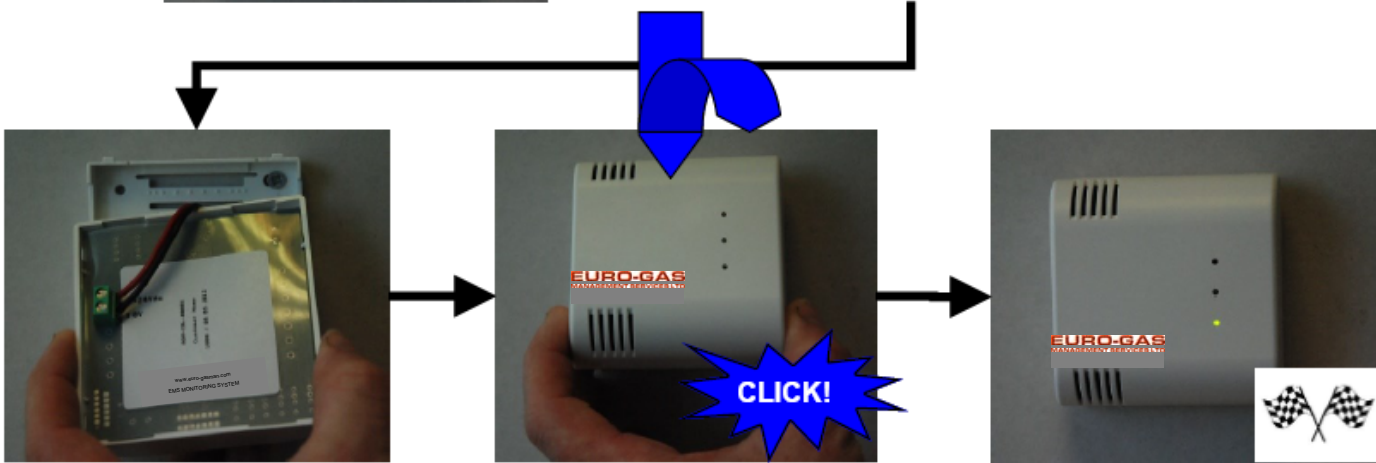
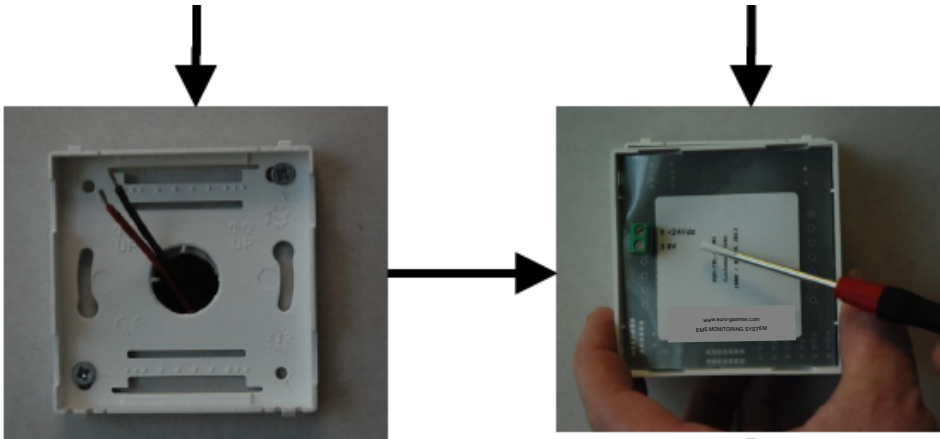
CO2 EMS Monitoring System is available with traffic light and alarm option (left) or with analogue/digital/relay output options with plain cover (as right).
Part no. 2112BC2300



INSTALLATION INSTRUCTIONS

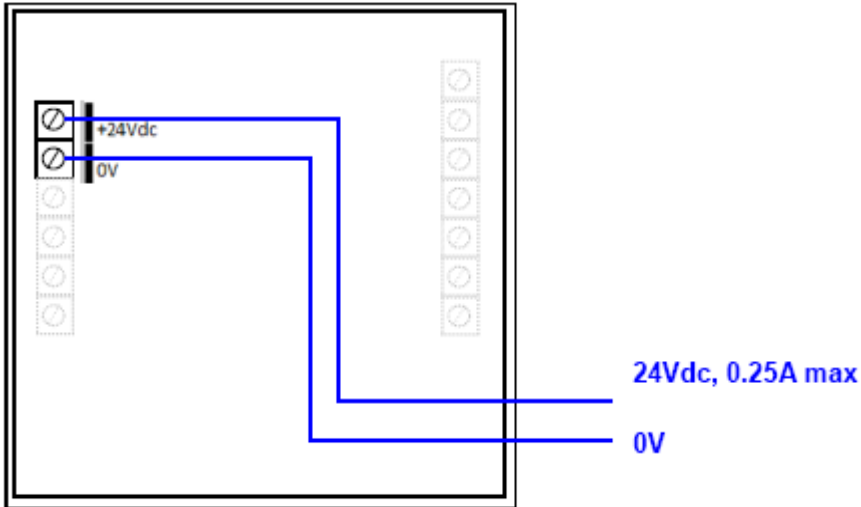


CO2 EMS MONITORING SYSTEM MANUAL

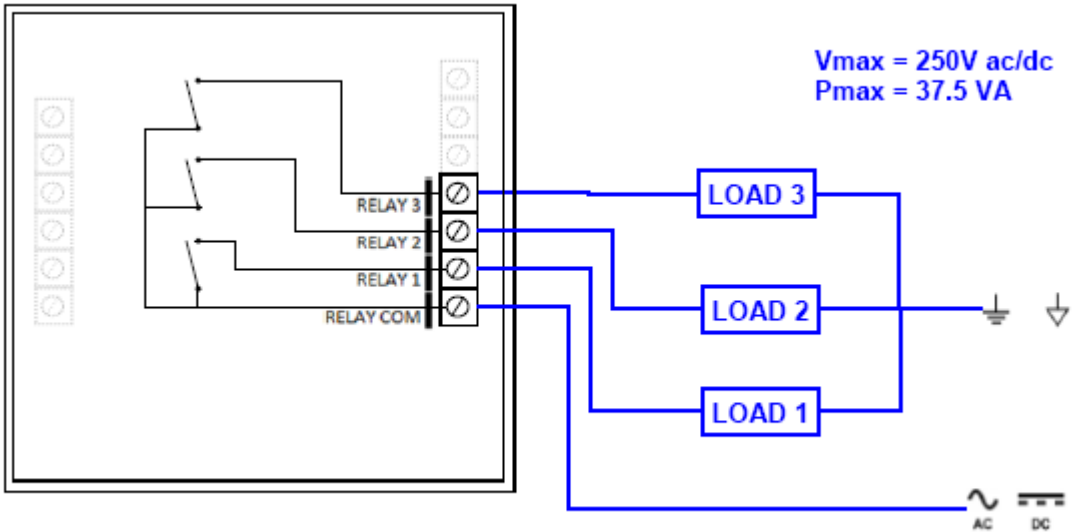


CO2 EMS MONITORING SYSTEM MANUAL

POWER SUPPLY:

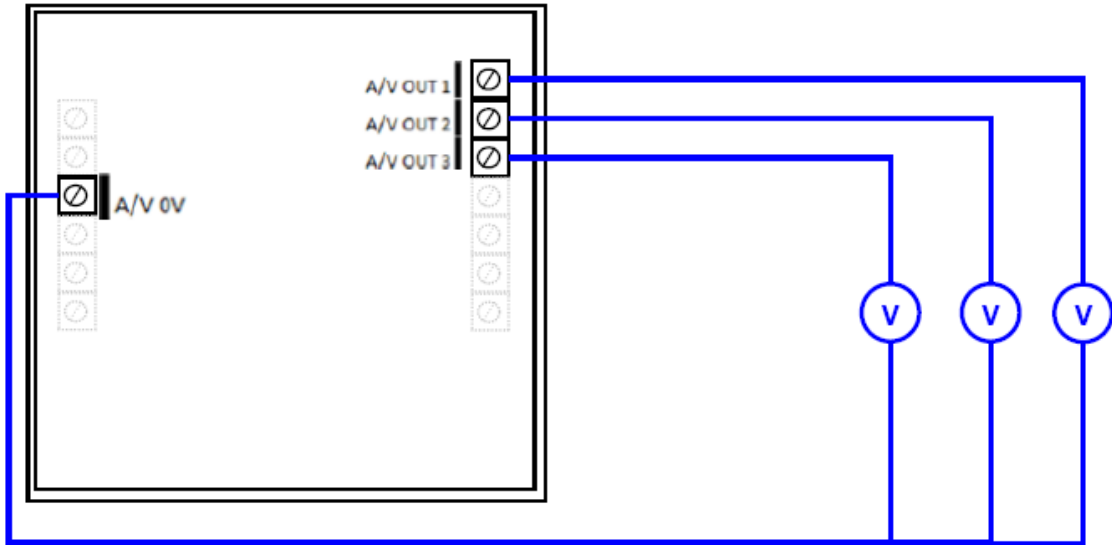


RELAY OUTPUTS:

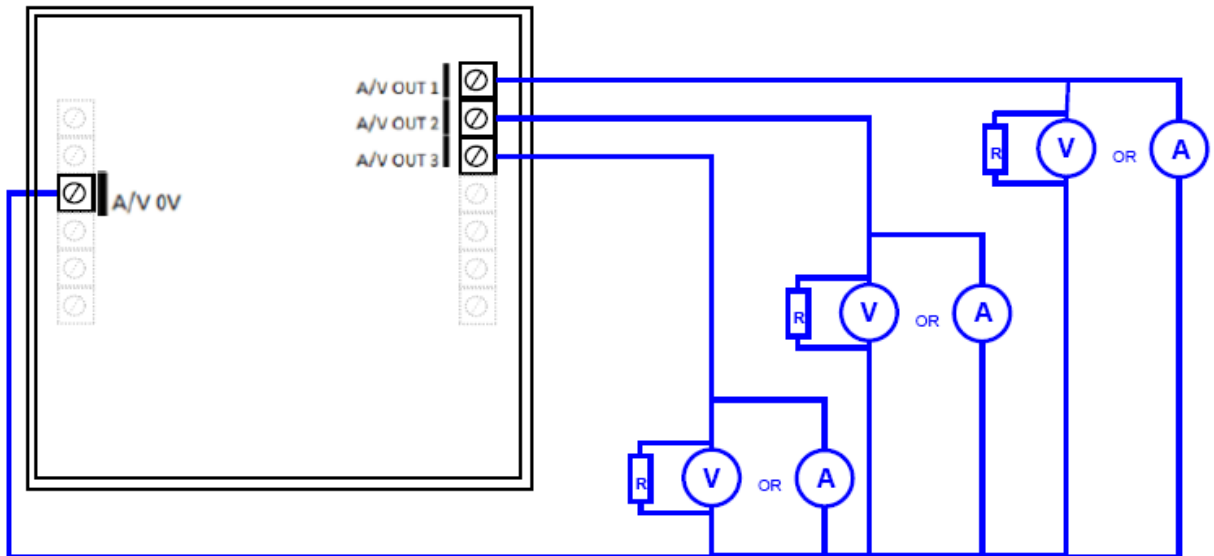


CO2 EMS MONITORING SYSTEM MANUAL

ANALOGUE OUTPUTS (VOLTAGE):



ANALOGUE OUTPUTS (CURRENT):

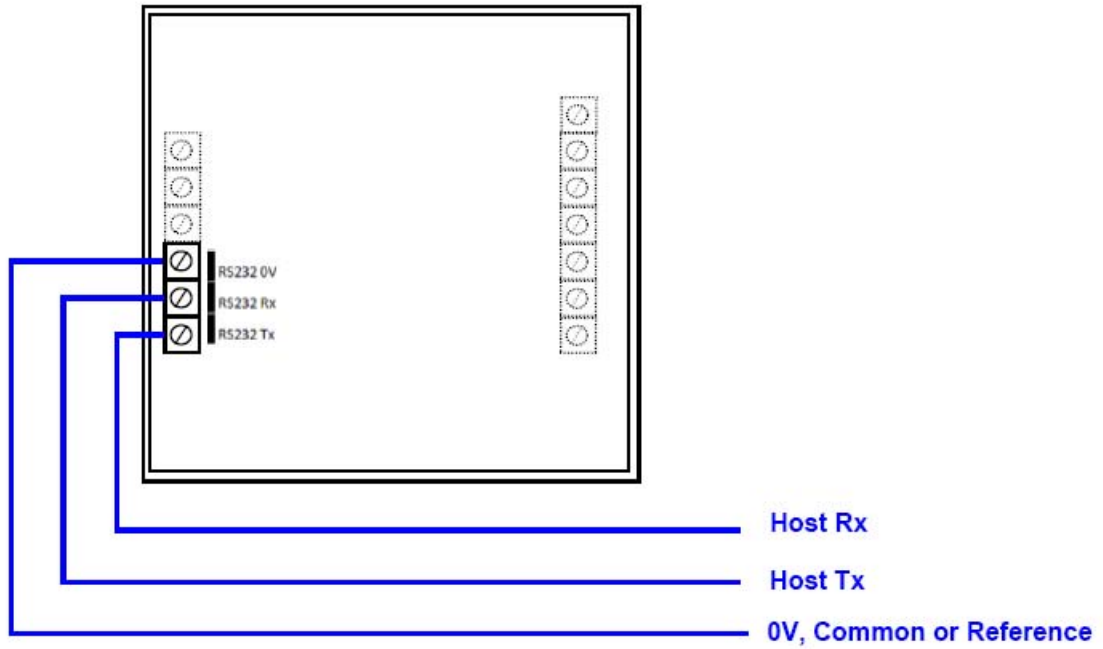


$R_{max} = 500\Omega$

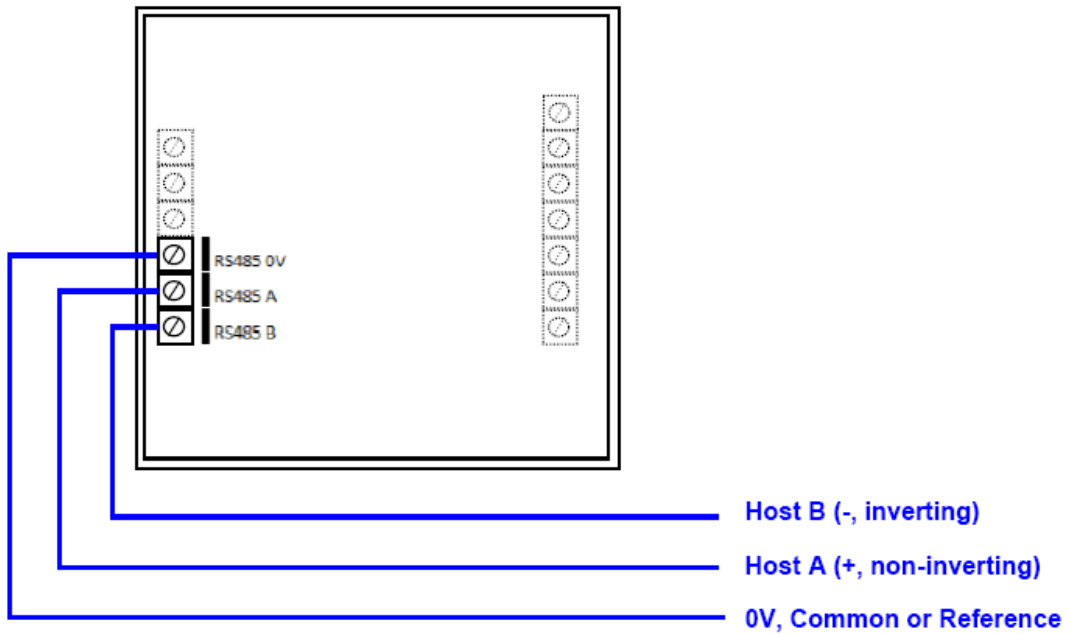


CO2 EMS MONITORING SYSTEM MANUAL

COMMUNICATIONS OUTPUTS (RS232)



COMMUNICATIONS OUTPUTS (RS485)



CO2 EMS MONITORING SYSTEM MANUAL

SETTINGS

Standard settings for the traffic light LEDs, alarm and Relay activation are:

CO2 < 1500 ppm	All Relays open, Green LED on, other LEDs off.
1500 < CO2 < 2500 ppm	Relay 1 closed, other relays open. Amber LED on, other LEDs off. Buzzer sounds every 5 minutes.
2500 < CO2 < 3000 ppm	Relay 2 closed, other relays open. Red LED on, other LEDs off. Buzzer sounds every minute.
CO2 > 3000 ppm	Relay 3 closed, other relays open. Red LED flashing, other LEDs off. Buzzer sounds every two seconds.

Other settings can be factory set on request. Please kindly ask us for details.

ORDERING GUIDE

The standard and most popular options for the EMS monitor are available as follows:

1. CO2 Monitor, with traffic light LEDs and buzzer
2. CO2 Monitor, with traffic light LEDs and Modbus RTU interface
3. CO2 Monitor, with Rh, Temperature, LEDs and Modbus RTU interface
4. CO2 Monitor, with traffic light LEDs and 3 Relays

A range of combinations and output options are also available in addition to the above selection. Please advise us of your requirements and we will be pleased to offer you a comprehensive solution.

The data contained in this document is believed to be accurate and reliable. The data given is for guidance only. Euro-Gas Management Services Ltd accepts no liability for any consequential losses, injury or damage resulting from the use of this datasheet or the information contained in it. Customers should test the sensors under their own conditions to ensure that the sensors are suitable for their own requirements and in accordance with the plans and circumstances of the specific project and any standards/regulations pertaining to the country in which the sensors will be utilised. This datasheet is not intended to form the basis of a contract and in the interest of product improvement, Euro-Gas reserves the right to alter design features and specifications without notice.

05/14

