

**Performance Characteristics**

<b>Measuring Range</b>	0-500ppm
<b>Sensitivity Range</b>	35nA/ppm ± 15nA/ppm
<b>Expected Operating Life</b>	>24 months in air*
<b>Zero Current at 20°C</b>	<± 100nA, typically 40nA
<b>Response Time at 20°C</b>	t50 <30s calculated from 5min. exposure time t90 <90s calculated from 5min. exposure time
<b>Temperature Range</b>	-20°C to +40°C
<b>Bias Potential</b>	0mV
<b>Linearity</b>	<10% full scale
<b>Long Term Sensitivity Drift</b>	<5% per 6 months
<b>Pressure Coefficient</b>	<0.03% signal/mBar
<b>Operating Humidity</b>	15-90% RH non-condensing
<b>Effect of Humidity</b>	No effect on zero reading during abrupt changes of RH
<b>Recommended Load Resistor</b>	100Ω

\*Background concentrations of ammonia might shorten life of sensor.

**Physical Characteristics**

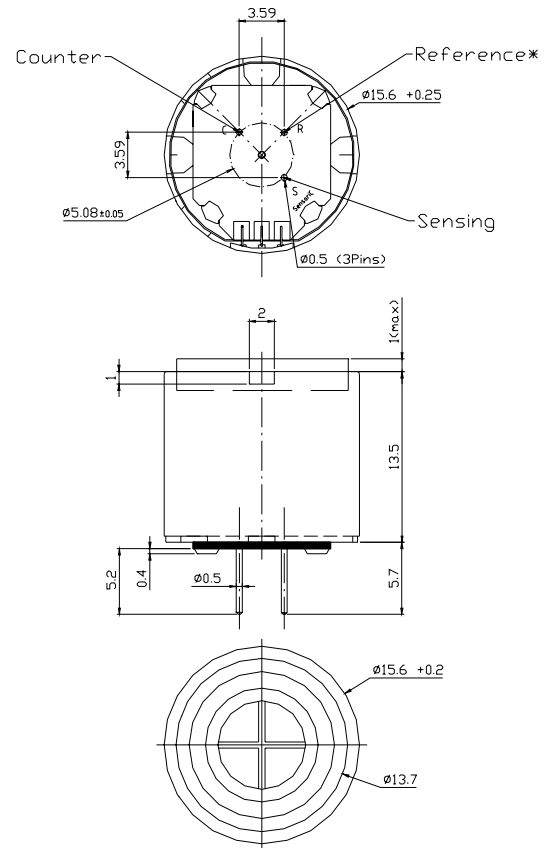
<b>Orientation Sensitivity</b>	None
<b>Storage Life</b>	4 weeks in original container
<b>Recommended Storage Temperature</b>	0-20°C
<b>Warranty</b>	12 Months

**Features**

- Amperometric 3 electrode sensor cell
- Low susceptibility to abrupt changes of humidity
- No CO2 interference
- High selectivity
- 0 voltage biased operation

N.B. All technical specifications are based on conditions at 20°C, 50%RH, and 1013mBar unless otherwise noted.

**Outline Dimensions (Example Mini)**



All dimensions in mm  
All tolerances ±0.15mm unless otherwise stated

**Part Number Information**

Mini	1850-932-30009
4 Series Adaptation	1850-932-30049
7 Series Adaptation	1850-932-30079

Note: Uä ^• • @, } / C a ^ } • Application note.

**Typical Applications**

Portable & fixed point applications  
Monitoring of IDLH levels, General Industry, Chemical Industry, Food & Refrigeration Industry

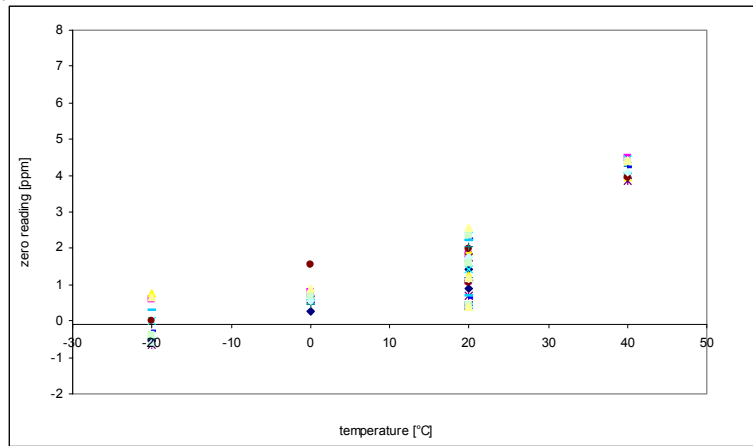
## Cross Sensitivities at 20 °C

Gas	Concentration	Reading (ppm)
Alcohols (IPA)	600 ppm	No effect / <1
Carbon Monoxide	100 ppm	No effect / <1
Carbon Dioxide	5%	-4
Hydrogen	3000 ppm	No effect / <5
Hydrogen Sulfide	20 ppm	5

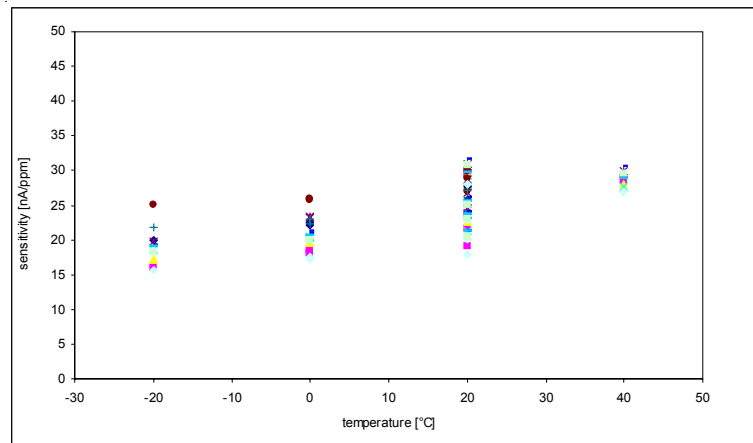
**Notes:**

- 1) Interference factors may differ from sensor to sensor and with life time. It is not advisable to calibrate with interference gases.
- 2) This table does not claim to be complete. The sensor might also be sensitive to other gases.

## Zero Reading vs. Temperature



## Output vs. Temperature



The manufacturer deems the data contained herein as factual, and the opinions expressed are those of qualified experts based on ~~that~~ tests conducted. The above data can not be used as a warranty provision or representation for which the manufacturer assumes legal responsibility. The data are offered solely for consideration, investigation and verification. Any use of this information is subject to federal, state and local laws and regulations.