

# Product Data Sheet

## Product Datasheet CNLL ppm Oxygen Sensor

### Document Purpose

The purpose of this document is to present the performance specification of the CNLL oxygen gas sensor.

This document should be used in conjunction with the Operating Principles (OP02) and the Product Safety Datasheet (PSDS 4).

The data provided in this document are valid at 20°C, 50% RH and 1013 mBar for 3 months from the date of sensor manufacture.

Output signal can drift below the lower limit over time. For guidance on the safe use of the sensor, please refer to the Operating Principles (OP02).

## Product Data Sheet

### Performance Characteristics

#### MEASUREMENT

<b>Operating Principle</b>	2-electrode electrochemical
<b>Measurement Range</b>	0-2 ppm O <sub>2</sub>
<b>Maximum Overload</b>	1000 ppm O <sub>2</sub>
<b>Filter</b>	None
<b>Output Signal*</b>	50 - 80 mV in air with a 10Ω load resistor
<b>Response Time (T<sub>95</sub>)*</b>	<20 seconds
<b>Purge Time:</b> (Ambient air to <10 ppm)	<6 hours
<b>Linearity</b>	Linear

#### ELECTRICAL

**Recommended Load Resistor** | 10 Ω

#### MECHANICAL

<b>Weight</b>	32 g
<b>Housing Material:</b>	
Body	Nickel plated steel
Current Collectors	Nickel
<b>Orientation Sensitivity</b>	None

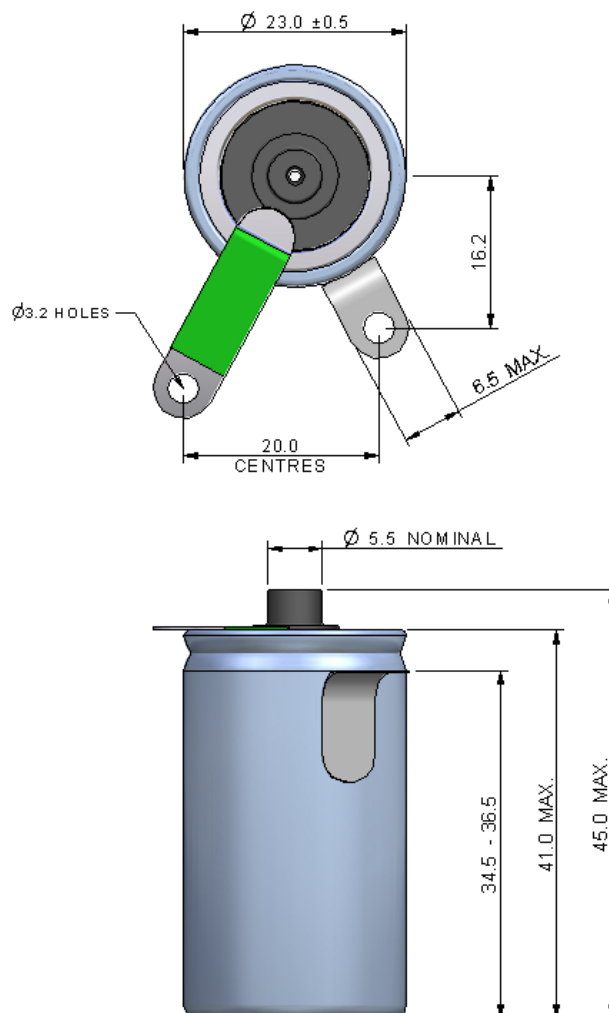
#### ENVIRONMENTAL

<b>Operating Temperature Range</b>	-20°C to +50°C
<b>Temperature Coefficient</b>	0.2% signal/°C
<b>Recommended Storage Temp</b>	0°C to 20°C
<b>Operating Pressure Range</b>	Atmospheric ± 10%
<b>Operating Humidity Range</b>	0 - 99% RH non-condensing

#### LIFETIME

<b>Long Term Output Drift</b>	<5% signal loss/year
<b>Expected Operating Life</b>	See below
<b>Storage Life</b>	6 months in original container

### Product Dimensions



All dimensions in mm

All tolerances ±0.15 mm unless otherwise stated

**IMPORTANT NOTE:** Connection should be made via PCB sockets only. Soldering to the pins will seriously damage your sensor.

\* Specifications are valid at 20°C, 50% RH and 1013 mBar, using recommended circuitry. Performance characteristics outline the performance of sensors supplied within the first 3 months. Output signal can drift below the lower limit over time.



# Product Data Sheet

## **Operating Life**

The operating life of a CNLL Oxygen sensor is proportional to the amount of oxygen the sensor consumes. As the manufacturer has no knowledge of the operating conditions of any particular application, the company cannot give any guarantee to the life of the sensor. However the following guidelines should be of use:

Under normal operating conditions (i.e. ppm levels) the sensor has a large excess capacity, and there will only be a gradual loss of sensitivity. It is recommended, however, that the sensor is changed every year to maintain the optimum sensitivity.

It is not advisable to use these sensors in ambient air, or to keep them on load in air for long periods. This will considerably decrease the life of the sensor.

## **Mechanical Design Considerations**

The CNLL is designed to measure trace levels of oxygen. It is therefore important to ensure an effective mechanical seal between the face of the sensor and the measured gas flow. Failure to do this may result in ambient oxygen mixing with the measured gas concentration and producing an enhanced sensor output.

### **SAFETY NOTE**

This sensor is designed to be used in safety critical applications. To ensure that the sensor and/or instrument in which it is used, are operating properly, it is a requirement that the function of the device is confirmed by exposure to target gas (bump check) before each use of the sensor and/or instrument. Failure to carry out such tests may jeopardise the safety of people and property.

Every effort has been made to ensure the accuracy of this document at the time of printing. In accordance with the company's policy of continued product improvement, the manufacturer reserves the right to make product changes without notice. The products are always subject to a programme of improvement and testing which may result in some changes in the characteristics quoted. As the products may be used by the client in circumstances beyond the knowledge and control of the manufacturer, we cannot give any warranty as to the relevance of these particulars to an application. It is the clients' responsibility to carry out the necessary tests to determine the usefulness of the products and to ensure their safety of operation in a particular application.

