

Product Data Sheet

Product Datasheet 5F Carbon Monoxide Sensor

Document Purpose

The purpose of this document is to present the performance specification of the 5F Carbon Monoxide gas sensor.

This document should be used in conjunction with the Operating Principles OP08 and Product Safety Datasheet PSDS 16.

The data provided in this document are valid at 20°C, 50% RH and 1013 mBar for 3 months from the date of sensor manufacture.

Output signal can drift below the lower limit over time. For guidance on the safe use of the sensor, please refer to the Operating Principles OP08.

Product Data Sheet

Key Features & Benefits

- Fast response and recovery time
- Superior long-term performance at temperature and humidity extremes.

Technical Specifications

MEASUREMENT

Operating Principle	3-electrode electrochemical
Nominal Range	0 to 4000 ppm CO
Maximum Overload	20,000 ppm CO
Filter	To remove acid gases
Filter Life	> 200,000 ppm hours (1000 ppm NO @ 500 ml/min)
Sensitivity*	30 ± 6 nA/ppm
Response Time (T₉₀)*	< 40 s
Baseline Offset (clean air)*	-10 to +5 ppm CO equivalent
Baseline Shift: (+20°C to +40°C)	-10 ppm CO equivalent
Repeatability	1% of signal
Linearity	Linear

ELECTRICAL

Resolution (Electronics dependent)	1 ppm
Recommended Load Resistor	10 Ω
Bias Voltage	Not required

MECHANICAL

Weight	12.5 g
Orientation Sensitivity	None

ENVIRONMENTAL

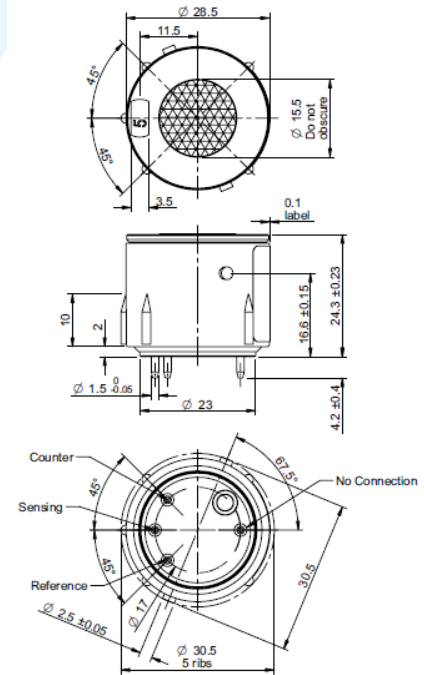
Operating Temperature Range	-20°C to +50°C
Operating Pressure Range	Atmospheric ± 10%
Pressure Coefficient	0.007 ± 0.003 %signal/mBar
Operating Humidity Range	15% RH to 90% RH

LIFETIME

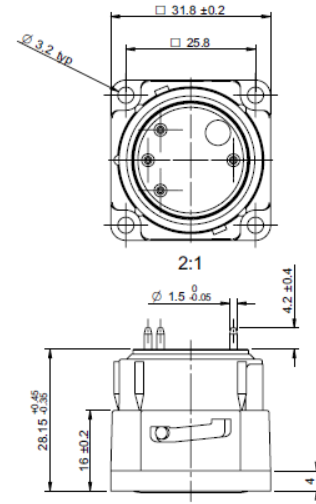
Long Term Output Drift*	< 2% signal loss per month
Recommended Storage Temp	0°C to +20°C in sealed container
Expected Operating Life	3 years in air

* Specifications are valid at 20°C, 50% RH and 1013 mBar, using recommended circuitry. Performance characteristics outline the performance of sensors supplied within the first 3 months. Output signal can drift below the lower limit over time.

Product Dimensions



With Bayonet Fitting Accessory



All dimensions in mm.
All tolerances ±0.15 mm unless otherwise stated

Bayonet Block is available separately
Order Code : B505

IMPORTANT NOTE: Connection should be made via PCB sockets only. Soldering to the pins will seriously damage your sensor and invalidate the warranty.

Product Data Sheet

Poisoning

Sensors are designed for operation in a wide range of environments and harsh conditions. However, it is important that exposure to high concentrations of solvent vapours is avoided, both during storage, fitting into instruments, and operation.

When using sensors with printed circuit boards (PCBs), degreasing agents should be used before the sensor is fitted. Do not glue directly on or near the sensor as the solvent may cause crazing of the plastic.

Cross Sensitivity Table

Whilst sensors are designed to be highly specific to the gas they are intended to measure, they will still respond to some degree to various other gases. The table below is not exclusive and other gases not included in the table may still cause a sensor to react.

IMPORTANT NOTE : The cross sensitivity data shown below does not form part of the product specification and is supplied for guidance only. Values quoted are based on tests conducted on a small number of sensors and any batch may show significant variation. For the most accurate measurements, an instrument should be calibrated using the gas under investigation.

Gas	Cross Sensitivity (%)
Hydrogen Sulfide (H ₂ S)	0
Sulfur Dioxide (SO ₂)	0
Nitric Oxide (NO)	0
Nitrogen Dioxide (NO ₂)	0
Hydrogen (H ₂)	< 60 ¹
Hydrogen Chloride (HCl)	0
Ethylene (C ₂ H ₄)	< 10

Note 1 : For applications where a hydrogen compensated output is required, the A5F sensor should be used.

SAFETY NOTE

This sensor is designed to be used in safety critical applications. To ensure that the sensor and/or instrument in which it is used, are operating properly, it is a requirement that the function of the device is confirmed by exposure to target gas (bump check) before each use of the sensor and/or instrument. Failure to carry out such tests may jeopardise the safety of people and property.

Every effort has been made to ensure the accuracy of this document at the time of printing. In accordance with the company's policy of continued product improvement, the manufacturer reserves the right to make product changes without notice. The products are always subject to a programme of improvement and testing which may result in some changes in the characteristics quoted. As the products may be used by the client in circumstances beyond the knowledge and control of the manufacturer, we cannot give any warranty as to the relevance of these particulars to an application. It is the clients' responsibility to carry out the necessary tests to determine the usefulness of the products and to ensure their safety of operation in a particular application.