

## Product Data Sheet

### Product Datasheet

### CMP200-D Combustible Gas Sensor

#### Document Purpose

The purpose of this document is to present the performance specification of the CMP200-D combustible gas sensor.

This document should be used in conjunction with the Product Safety Datasheet (PSDS 21).

The data provided in this document are valid at 20°C, 50% RH and 1013 mBar for 3 months from the date of sensor manufacture.

Output signal can drift below the lower limit over time.

## Product Data Sheet

### Technical Specifications

#### MEASUREMENT

<b>Operating Principle</b>	Catalytic Bead
<b>Gases Detected</b>	Most combustible gases
<b>Poison Resistance</b>	Resistant to H <sub>2</sub> S and Silicones
<b>Measurement Range</b>	0 - 100%LEL
<b>Output Sensitivity*</b>	25 - 34 mV/%methane
<b>Response Time (T<sub>90</sub>)*</b>	<15 Seconds (methane)
<b>Linearity</b>	Linear in range 0-3% methane
<b>Resolution</b>	Dependant on Electronics

#### ELECTRICAL

<b>Operating Voltage</b>	3.3 ± 0.1 VDC
<b>Detector Operating Current</b>	Approx 68 mA
<b>Maximum Power Consumption</b>	243 mW

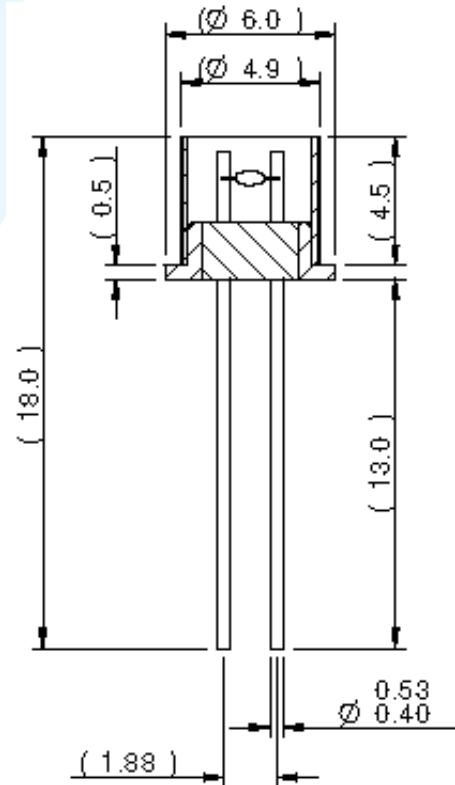
#### MECHANICAL

<b>Connection</b>	13 mm pins
<b>Housing Material</b>	Stainless Steel 316
<b>Orientation</b>	Any

#### LIFETIME

<b>Long Term Sensitivity Drift</b>	<5% signal / month
<b>Long Term Zero Drift</b>	<5%LEL <sub>methane</sub> / month

### Product Dimensions



All dimensions in mm

All tolerances ±0.15 mm unless otherwise stated

It is recommended that confirmation of adequate sensor performance be conducted on a regular basis by means of a defined, sensor calibration procedure. The calibration frequency will depend upon the environment in which the sensor is operated and on the perceived level of risk from the build up of flammable atmospheres.

**\* Specifications are valid at 20°C, 50% RH and 1013 mBar, using manufacturer recommended circuitry. Performance characteristics outline the performance of sensors supplied within the first 3 months. Output signal can drift below the lower limit over time.**

#### SAFETY NOTE

This sensor is designed to be used in safety critical applications. To ensure that the sensor and/or instrument in which it is used, are operating properly, it is a requirement that the function of the device is confirmed by exposure to target gas (bump check) before each use of the sensor and/or instrument. Failure to carry out such tests may jeopardize the safety of people and property.

Every effort has been made to ensure the accuracy of this document at the time of printing. In accordance with the company's policy of continued product improvement the manufacturer reserves the right to make product changes without notice. The products are always subject to a programme of improvement and testing which may result in some changes in the characteristics quoted. As the products may be used by the client in circumstances beyond the knowledge and control of the manufacturer, we cannot give any warranty as to the relevance of these particulars to an application. It is the clients' responsibility to carry out the necessary tests to determine the usefulness of the products and to ensure their safety of operation in a particular application.